

FastGene[®] Blue White LED Tab

Catalogue Number FG-12



NIPPON Genetics
EUROPE

CONTENT

1. SAFETY INFORMATION	3
2. WARRANTY	3
3. REGULATORY NOTICE	4
4. IMPORTANT NOTICE	4
5. SPECIFICATION	4
6. NOMENCLATURE	5
7. INSTALLATION AND USE OF THE EQUIPMENT	6
PROTEIN DETECTION	7
8. TROUBLESHOOTING	8
9. CONTACT DETAILS	8

1. SAFETY INFORMATION

Please read carefully the following notes to be able to properly use the FastGene® Blue & White LED Tab transilluminator.

- ⚠ Please wear the appropriate personal protective equipment
- ⚠ Using FastGene® Blue and White LED Illuminator instrument will normally not injure eyes, skins, and samples. However, prolonged exposure of human naked eyes with light irradiation in the blue spectrum may increase the probability of suffering from retina diseases. Therefore, we recommend using the amber filter included in the box, when handling the transilluminator.
- ⚠ The FastGene® Blue & White LED Tab Transilluminator is an electrical device. Never touch the power cord or outlet with wet hands. Do not use this device in damp areas or while standing on damp floors.
- ⚠ Do not attempt to open the FastGene® Blue & White LED Tab Transilluminator. The FastGene® Blue & White LED Tab should be used with the supplied power cord. Only these power cords should be used to power the device. Attach the power cord to the FastGene® Blue & White LED Tab at the side of the device. Plug the other end of the power cord into a properly grounded electrical outlet, ensuring the correct plug adaptor is attached. Always disconnect the FastGene® Blue & White LED Tab from the electrical outlet before cleaning the device.
- ⚠ Please position and use the FastGene® Blue & White LED Tab on the level laboratory benchtop.
- ⚠ After the FastGene® Blue & White LED Tab is switched on for 5 minutes, the automatic disconnecting device will automatically switch off the power source.

2. WARRANTY

The FastGene® Blue & White LED Tab is warranted against defects in materials and workmanship for 1 year. In case of any defects occurring in the instrument or accessories during this warranty period, Nippon Genetics Europe will repair or replace the defective parts at its discretion without charge.

The following defects, however, are specifically excluded:

- Defects caused by improper operation.
- Repair or modification done by anyone other than Nippon Genetics Europe or an authorized agent.
- Damage caused by substituting alternative parts.
- Use of fittings or spare parts supplied by anyone other than Nippon Genetics Europe.
- Damage caused by accident or misuse.
- Damage caused by disaster.
- Corrosion caused by improper solvent or sample.

For any inquiry or request for repair service, contact Nippon Genetics Europe or your local distributor. Please send a message containing information about the model and serial number of your instrument.

3. REGULATORY NOTICE

IMPORTANT: This Nippon Genetics Europe instrument is designed and certified to meet safety standards and EMC regulations. Certified products are safe to use when operated in accordance with the instruction manual. This instrument must not be modified or altered in any way. Alteration of this instrument will:

- Void the manufacturer's warranty
- Void the safety and EMC certification
- Create a potential safety hazard

Nippon Genetics Europe is not responsible for any injury or damage caused by the use of this instrument for purposes other than those for which it is intended, or by modifications of the instrument not performed by Nippon Genetics Europe or an authorized agent.

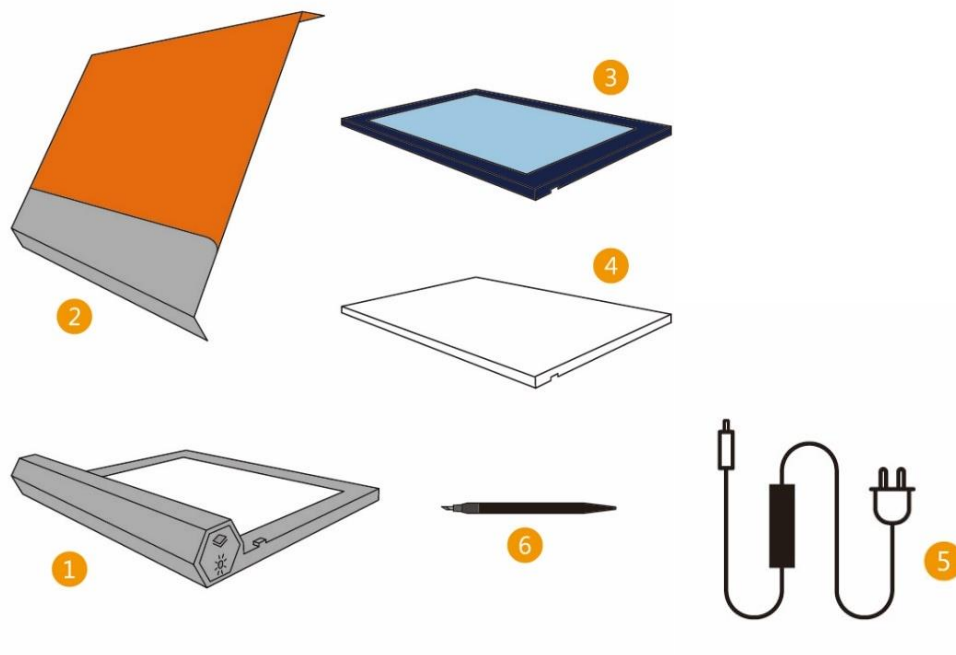
4. IMPORTANT NOTICE

Please, read the installation instruction carefully before installing the FastGene® Blue & White LED Tab Transilluminator. This instrument is intended for research laboratory use with DNA gel. This instrument is meant for use only by specialized personnel that know the health risks associated with blue light radiation and with reagents that are normally used with this instrument. Please use the amber filter for your own protection!

5. SPECIFICATION

Unit Dimensions	18.5 x 3 x 22 cm (W x H x L)
Gel viewing area	18 x 12 cm
Input Voltage / Current	100-220V / 2.0 A
LED Source / life-span	Blue LEDs (470 nm), white LEDs / 30,000h both.
Store temperature	Room temperature
Automatic power off	5 minutes
Filter Type	Amber Filter
Certification	CE, ETL

6. NOMENCLATURE



1. FastGene® Blue & White LED Tab
2. Amber Filter Cover with magnetic attachment
3. Blue Uniform Plate
4. White Uniform Plate
5. Power Cord
6. Gel-Cutting Knife and Replacement Blade

7. INSTALLATION AND USE OF THE EQUIPMENT

Please read carefully the following instructions to ensure a proper installation and use of the equipment.

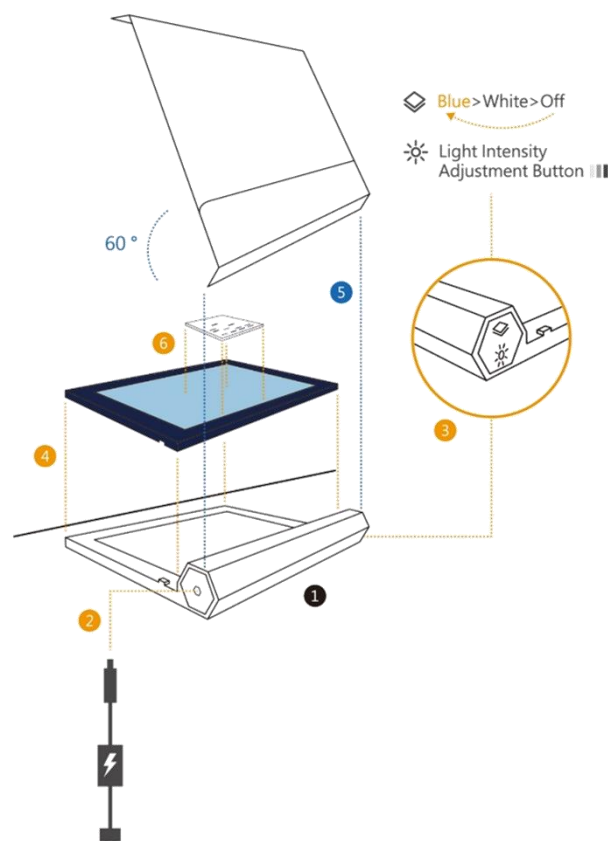
DNA DETECTION

1. Place the FastGene® Blue & White LED Tab on a level operational bench, with enough space around the unit to allow air circulation and preventing overheating.
2. Connect the power cord to the power socket.
3. Press the ON / OFF switch twice to activate the Blue Light Mode.
4. Place the blue uniform plate in position.
5. Position the amber filter at an angle of 60 degrees for magnetically connecting with the transilluminator's base.
6. Upon placing the gel sample in the transparent viewing area of the blue uniform plate, the gel-observing and cutting experiment can be immediately conducted.

Caution: For the automatic power-off feature at 5 minutes, please press the power switch again to switch on the indicator light once the LED indicator light is off.

Caution: Press the light intensity adjustment button based on the sample condition.

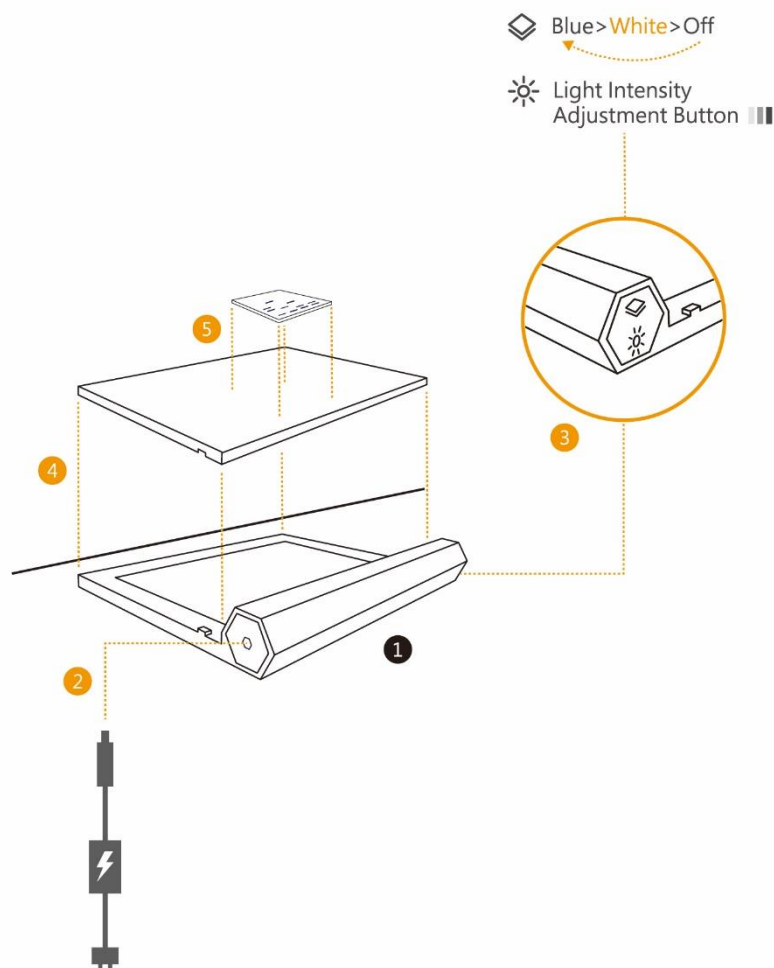
7. Upon completing the operation, turn the transilluminator off by pressing the ON / OFF switch.
8. Please use a clean and wet cotton cloth to wipe the surfaces of the transilluminator and amber filter.



PROTEIN DETECTION

1. Place the FastGene® Blue & White LED Tab on a level operational bench, with enough space around the unit to allow air circulation and preventing overheating.
2. Connect the power cord to the power socket.
3. Press the ON / OFF switch to the White Light Mode.
4. Place the white uniform plate in position.
5. Upon placing the protein gel sample or X-ray film in the white filter area, the observation can be conducted immediately.

Caution: For the automatic power-off feature at 5 minutes, please press the power switch again to switch on the indicator light once the LED indicator light is off.



8. TROUBLESHOOTING

Refer to the table below to troubleshoot problems that you may encounter when viewing with the FastGene® Blue & White LED Tab Transilluminator.

Problem	Cause	Solution
Low sensitivity.	<ul style="list-style-type: none"> * The fluorescent staining reagents selected and used do not exhibit wavelengths within the 470nm range (e.g. Ethidium Bromide). * Insufficient sample concentration. 	<ul style="list-style-type: none"> * Replace the fluorescent staining reagent, e.g. MIDORI^{Green} Dyes. * Adjust the light intensity and check for improvement. Please increase the sample concentration if no improvement is observed.
The sample is not observed under the Blue Light Mode.	Incorrect light source or dye.	Please confirm the selected light source is the blue light, NOT the WHITE Light.

9. CONTACT DETAILS

Please contact us for additional information: info@nippongenetics.eu

Please contact our support: support@nippongenetics.eu

NIPPON Genetics EUROPE GmbH

Binsfelder Strasse 77

52351 Dueren

Germany

Fon: +49 2421 55 496 0

Fax: +49 2421 55 496 11

www.nippongenetics.eu

CONTACT DETAILS



Please contact us for additional information: info@nippongenetics.eu

Please contact our support: support@nippongenetics.eu

NIPPON Genetics EUROPE GmbH

Binsfelder Strasse 77

52351 Dueren

Germany

Fon: +49 2421 55 496 0

Fax: +49 2421 55 496 11

www.nippongenetics.eu