

Reservoir

(#22001/23001/22050/23050/21002/21102/21008/21012)

1. Description

Sloping bottoms of SPL Reservoirs are useful for filling multichannel-pipette during both cell culture experiment and immunoassay experiments.

2. Features

- ❖ Manufactured from modified polystyrene
- ❖ Notched volume label (Cat. No.22050, 23050, 22001, 23001)
- ❖ Supplied sterile in packs of 1 or 5
- ❖ Supplied non-sterile in packs of 20 (Cat. No. 23001)

3. Product Range

| Cat. No. | Material | Color | Design | Channel | Volume(ml) | Sterile | Packaging |
|----------|----------|-------|----------------|---------|------------|---------|-----------|
| 22001 | PS | White | Sloping Bottom | 1 | 100.00 | + | 1 / 50 |
| 23001 | PS | White | Sloping Bottom | 1 | 100.00 | - | 20 / 100 |
| 22050 | PS | White | Sloping Bottom | 1 | 50.00 | + | 1 / 50 |
| 23050 | PS | White | Sloping Bottom | 1 | 50.00 | + | 5 / 100 |
| 21002 | PS | White | Sloping Bottom | 2 | 25.00 | + | 1 / 50 |
| 21102 | PS | White | Sloping Bottom | 2 | 25.00 | + | 5 / 100 |
| 21008 | PS | White | Sloping Bottom | 8 | 7.00 | + | 1 / 100 |
| 21012 | PS | White | Sloping Bottom | 12 | 4.00 | + | 1 / 100 |

4. Certification

SPL Life Sciences hereby certifies that the product identified above, inspected to be in compliance with product quality specification and requirements as documented in our ISO 9001:2015 Quality Management System (K-QA-Q031478) in Korea.

5. Product Photographs



6. Specifications & Technical Drawing

- Specifications (Cat. No. 22001 / 23001 / 22050 / 23050)

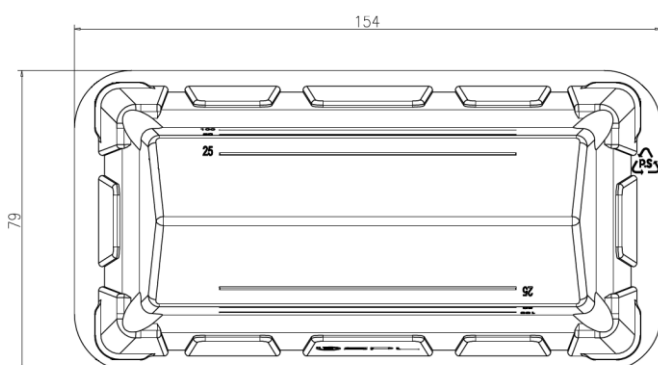
| Cat. No. | Dimensions | | Material (Resin) | Packaging | | |
|-----------------|---------------|---------------|--------------------------------|---|---|--|
| | 22001 / 23001 | 22050 / 23050 | | 22001 / 22050 | 23001 | 23050 |
| Internal Length | 58.00 mm | 38.00 mm | Crystal-grade Polystyrene (PS) | <ul style="list-style-type: none"> ▪ Pieces/Sleeve: 1 ▪ Pieces/case: 50 | <ul style="list-style-type: none"> ▪ Pieces/Sleeve: 20 ▪ Pieces/case: 100 | <ul style="list-style-type: none"> ▪ Pieces/Sleeve: 5 ▪ Pieces/case: 100 |
| Internal Width | 128.00 mm | 125.00 mm | | | | |
| Working volume | 100.00 ml | 50.00 ml | | | | |

- Specifications (Cat. No. 21002 / 21102 / 21008 / 21012)

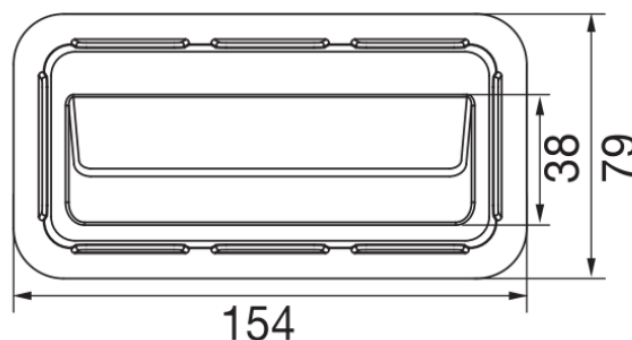
| Cat. No. | Dimensions | | | Material (Resin) | Packaging | | |
|-----------------|---------------|-----------|----------|--------------------------------|---|--|--|
| | 21002 / 21102 | 21008 | 21012 | | 21002 | 21102 | 21008 / 21012 |
| Internal Length | 26.00 mm | 9.00 mm | 59.80 mm | Crystal-grade Polystyrene (PS) | <ul style="list-style-type: none"> ▪ Pieces/Sleeve: 1 ▪ Pieces/case: 50 | <ul style="list-style-type: none"> ▪ Pieces/Sleeve: 5 ▪ Pieces/case: 100 | <ul style="list-style-type: none"> ▪ Pieces/Sleeve: 1 ▪ Pieces/case: 100 |
| Internal Width | 125.00 mm | 104.20 mm | 9.00 mm | | | | |
| Working volume | 25.00 ml | 7.00 ml | 4.00 ml | | | | |

- Technical Drawing

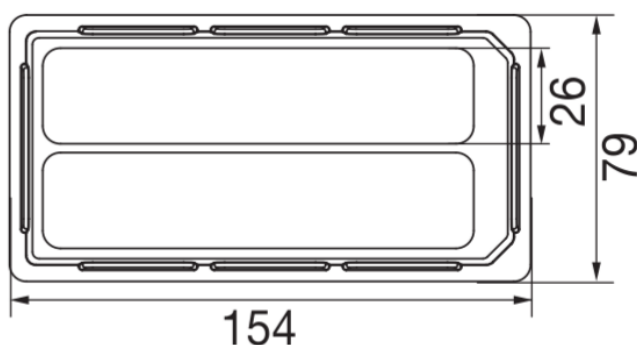
Cat. No. 22001/23001



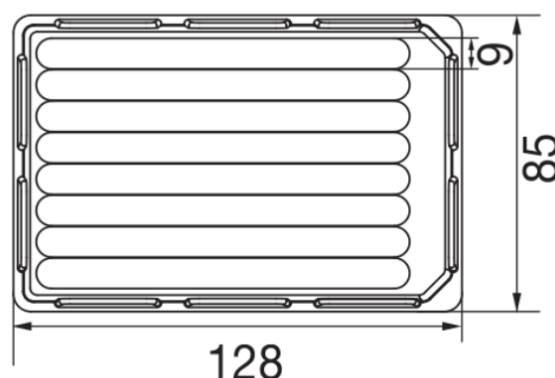
Cat. No. 22050/23050



Cat. No. 21002/21102



Cat. No. 21008

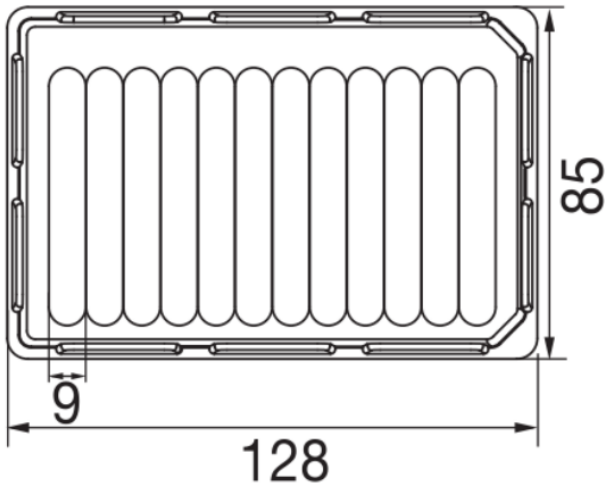


SPL-TDS-RES

For Research Use Only. Not intended for use in diagnostic or therapeutic procedures.

© SPL Life Sciences Co., Ltd., Version3, Jul. 31th, 2020

Cat. No. 21012



www.spllifesciences.com

For technical assistance, contact SPL R&D Center at:
Tel: +82-31-533-4800; Fax: +82-31-533-1430; e-mail: spl@ispl.co.kr
To place an order, contact your local distributor or
Tel: +82-31-533-4800; Fax: +82-31-533-1430; e-mail: business@ispl.co.kr

SPL-TDS-RES

For Research Use Only. Not intended for use in diagnostic or therapeutic procedures.

© SPL Life Sciences Co., Ltd., Version3, Jul. 31th, 2020